



## FIELDS OF APPLIATION

---

Positioning tasks in the mechanical, optical and scientific field.

## MATERIAL AND SLIDE EXECUTION

---

Standard execution grey cast iron EN-GJS-400-15.  
Other materials upon request. All outside surfaces ground.  
Upon desire the slides can be nickered chemically.

## SPINDLE EXECUTION

---

All slide are equipped with ground metric standard spindles.  
Ascending gradient  $\pm 0.02$  mm on 300 mm length.  
1 graduation mark = 0.001 lifting.  
1 rotation = 0.05 mm lifting.  
From slide width 200 mm 1 rotation = 0.1 mm lifting

## CARRYING CAPACIITY AND WEIGHT

---

Slide sizes 30–300 capable of bearing from 300 N – 12500 N.  
Weight from 0.4 – 104.6 kg.

## MAINTENANCE

---

All ERO-slideguidances are low-maintenance.

## ADVANTAGES OF ERO-SLIDE GUIDANCES TYPE SMH

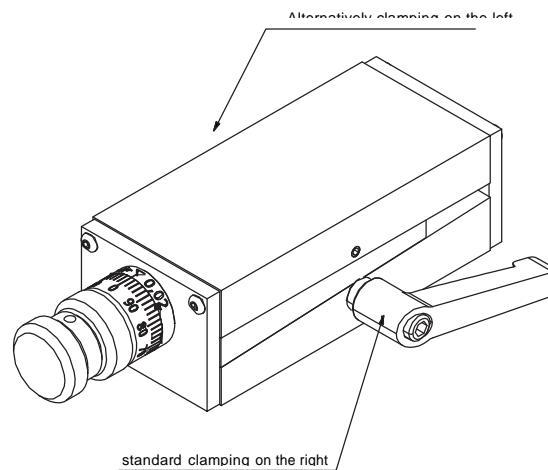
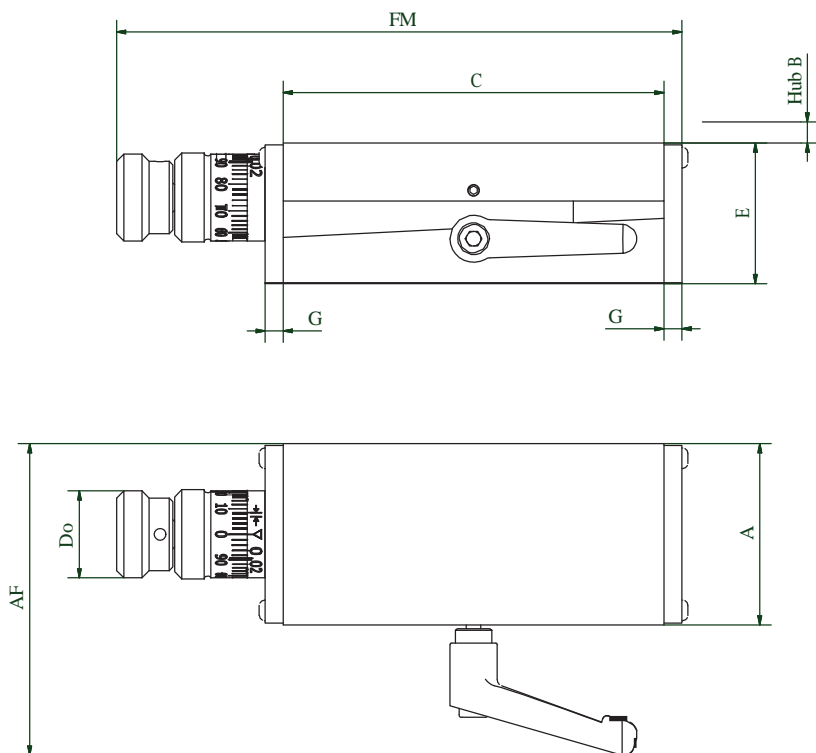
---

- Longivity
- Smoothness of motion
- Highest precision
- Economic



# TECHNICAL FUNDAMENTALS

## SLIDE GUIDANCE ADJUSTABLE IN HEIGHT TYPE SMH -SWALLOWTAIL-



A	B	C	D	E	AF	FM	G	Spindle	Charging F (dyn/N)	Weight kg
Width	Lifting	Length		Height without lifting						
30	1	65	14	29	39	94,5	3	M 3 x 0,5	300	0,4
50	1,25	105	24	38,75	84	156	5	M 6	830	1,5
75	1,75	130	30	48,25	109	190	6	M 8 x 1	1381	3,5
100	2,50	160	30	60,00	134	224	8	M 12 x 1	2096	6,7
150	5	260	48	85	187	349	10	M 16 x 1	4740	22,6
200	10	310	48	110	246	403	12	M 20 x 2	6935	48,6
300	5	410	68	120	350	542	15	M 20 x 2	12500	104,6

Other dimensions / liftings upon request.