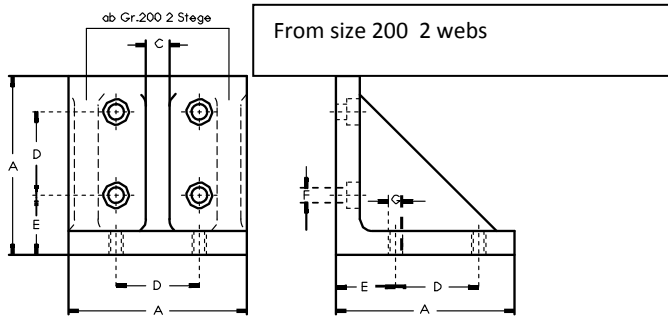




MOUNTING ANGLE



A	B	C	D	E	F*	G*
30	5	5	10	12,5	3,3	M 3
50	10	10	25	17,5	4,5	M 4
75	10	10	35	25,0	6,5	M 6
100	15	15	45	35,0	6,5	M 6
150	15	15	90	37,5	9,0	M 8
200	20	20	100	60,0	11,0	M 10
300	25	25	180	72,5	14,0	M 12

Upon request threading on both sides or customer-specific drilling image possible

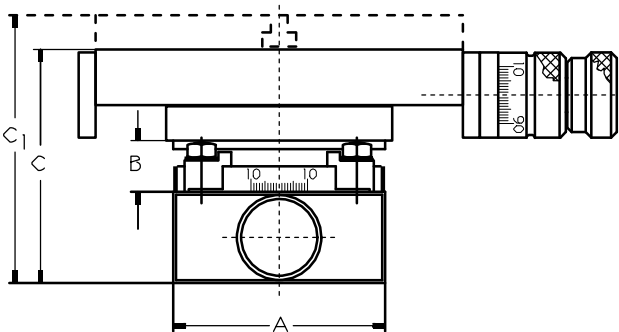
ROTARY TABLES

Rotary tables are usable from slide size 75 – 300 onward.

The rotary tables can be swiveled by 360°.

Scale divisioning 1°, reading off toward left and right by each time 90°.

The clamping is effected via clamping lugs.



A	B	C	C ₁
75	18	82	94
100	18	102	124
150	20	124	140
200	20	136	152
300	22	166	182

BASE PLATE

Slides with base plate (RG / TVG/ SG) are constructed as a closed version, what makes a sealing possible on all sides.

The small distance between upper part und lower part prevents a penetration of dirt

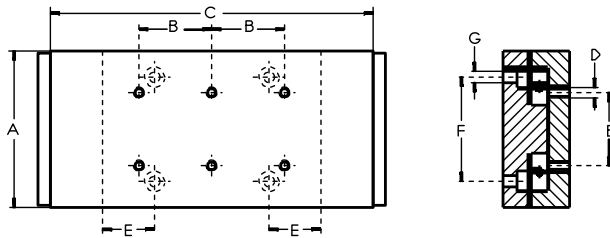
If the tables should be provided dust-tight and impermeable to the penetration of liquids, The type RGA respectively TVGA or SGA is to be chosen. By means of the strippers put on at all sides the coefficient of friction is increased.

All tables can be equipped not only with R-, TV- and N/O-guidances.



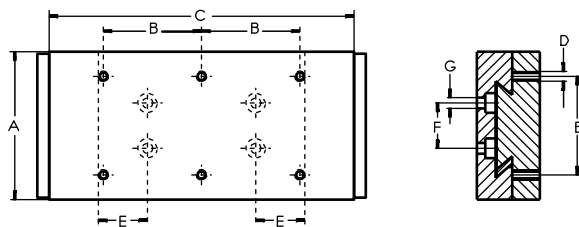


POSSIBLE FIXING BORES FOR TV AND ROLLER SLIDES (SURCHARGES)



A	B	D	E	F	G
30	10	M 3	5	22	M 3
50	25	M 4	15	35	M 4
75	35	M 5	25	50	5,5
100	45	M 6	25	70	6,6
150	80	M 8	25	120	9,0
200	100	M 10	50	160	11,0
300	200	M 12	50	260	13,0

POSSIBLE FIXINGBORES FOR SWALLOWTAIL SLIDES (SURCHARGES)



A	B	D	E	F	G
30	22	M 3	5	22	M 3
50	35	M 5	25	30	M 4
75	50	M 5	25	23	5,5
100	70	M 6	25	30	6,6
150	120	M 8	25	48	9,0
200	160	M 10	50	80	11,0
300	260	M 12	50	150	13,0

Please pay attention with regard to TV-, roller and swallowtail guidances:
If the slide length C is less than $2 \times A$, then in this part only 4 bores can be set with distance B x B.

The sizes 30 - 50 are executed only with threading, without lowering bores.

Customer-specific drilling image possible upon request.

Constructional changes reserved!

T-GROOVES

Look up data to T-grooves please on the drawings and charts on the pages **Technische Daten** Of the respective slide guidance.

